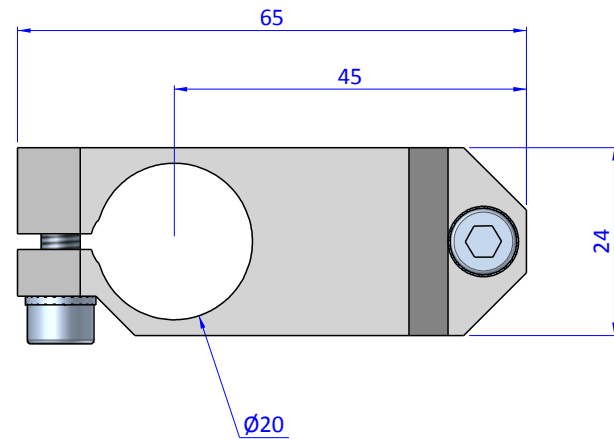
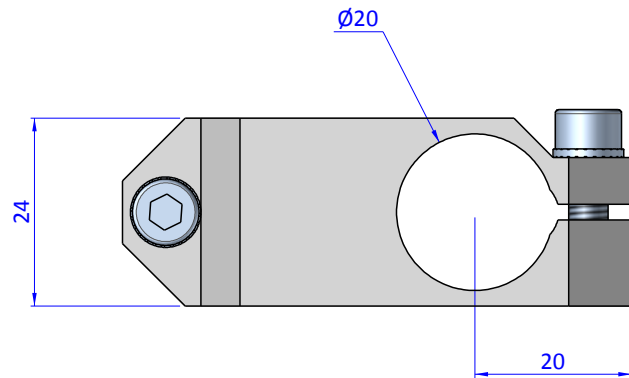
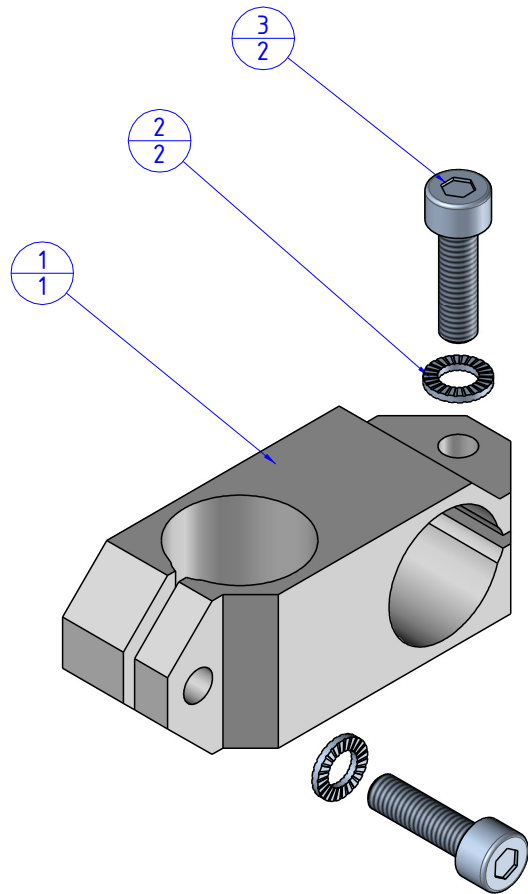



THE PROPERTY OF THE DRAWING IS ESTABLISHED BY LAW. IT IS FORBIDDEN TO PRODUCE OR SHOW IT TO THIRD PARTY, WITHOUT A WRITTEN AGREEMENT.

Item	Name	Q.ty
1	KKS.L.2020	1
2	R.5.SCH	2
3	V.TCE5x18	2



Format A3

UNI 936-76

 FPS SERVICES AUTOMATION		DESIGNED FROM FPS Automation		REVIEW A
GENERAL TOLERANCE UNI - ISO 2768 CLASSE f		DESCRIPTION CA.KKS.L.2020	DATE 03/04/2019	WEIGHT 0,053kg
			CODE CA.KKS.L.2020	